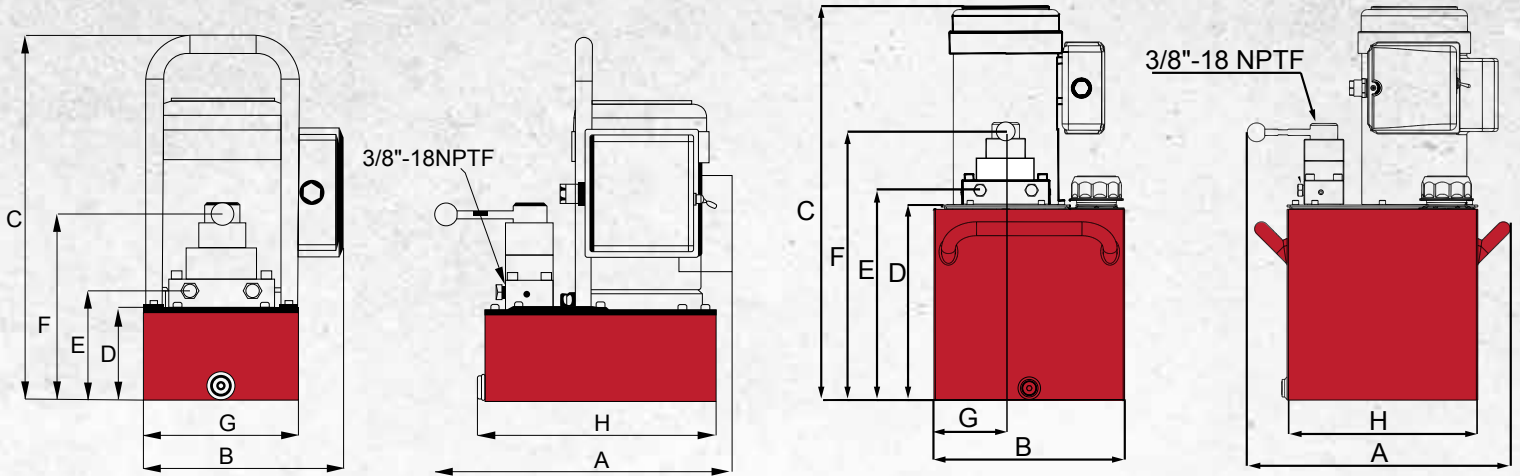


ELECTRIC PUMPS with LOCKING MANUAL VALVE and PENDANT SWITCH

- Quiet operation meets OSHA regulations (80 dBA)
- 2 speed operation allows for faster cylinder advance
- Full load starting capacities
- Internal filter keeps contamination from damaging the pump
- Precision components to minimize wear and improve overall dependability
- All pumps on this page are single phase electric motors
- 10 foot hand held pendant switch allows user to turn the motor on/off
- 50 Hertz motors optional



Use with Cylinders	Motor Size (hp)	Usable Oil Capacity (gal)	Model Number	Pressure Rating		Oil Output Flow Rate		Valve Type	Valve Function	Current Draw (amps)	Motor Voltage (volts)	Weight (lbs)
				1st Stage (psi)	2nd Stage (psi)	1st Stage (in ³ /min)	2nd Stage (in ³ /min)					
Single Acting	0.5	1	PEWL0501T	350	10,000	293	18	3-way, 3-position	Advance/ Hold/ Return	9	115	65.9
	0.5	2	PEWL0502T	350	10,000	293	18			9	115	65.9
	1.0	2	PEWL1002T	700	10,000	311	37			12	115	69.7
	1.5	3	PEWL1503T	700	10,000	476	61			17	115	77
	1.5	5	PEWL1505T	700	10,000	476	61			17	115	94.8
	1.5	10	PEWL1510T	700	10,000	476	61			17	115	102.4
	1.5	15	PEWL1515T	700	10,000	476	61			17	115	122.4
	1.5	25	PEWL1525T	700	10,000	476	61			17	115	133.4
	3.0	5	PEWL3005T	700	10,000	592	110			17	230	154.4
	3.0	10	PEWL3010T	700	10,000	592	110			17	230	129.4
	3.0	15	PEWL3015T	700	10,000	592	110			17	230	140.4
Double Acting	3.0	25	PEWL3025T	700	10,000	592	110	4-way, 4-position	Advance/ Hold/ Return	17	230	161.4
	0.5	1	PEWML0501T	350	10,000	293	18			9	115	65.9
	0.5	2	PEWML0502T	350	10,000	293	18			9	115	65.9
	1.0	2	PEWML1002T	700	10,000	311	37			12	115	69.7
	1.5	3	PEWML1503T	700	10,000	476	61			17	115	77
	1.5	5	PEWML1505T	700	10,000	476	61			17	115	94.8
	1.5	10	PEWML1510T	700	10,000	476	61			17	115	102.4
	1.5	15	PEWML1515T	700	10,000	476	61			17	115	122.4
	1.5	25	PEWML1525T	700	10,000	476	61			17	115	133.4
	3.0	5	PEWML3005T	700	10,000	592	110			17	230	154.4
	3.0	10	PEWML3010T	700	10,000	592	110			17	230	129.4
	3.0	15	PEWML3015T	700	10,000	592	110			17	230	140.4
	3.0	25	PEWML3025T	700	10,000	592	110			17	230	161.4



Model Number	Dimensions (in)							
	A	B	C	D	E	F	G	H
PEWL0501T	14.92	10.28	19.09	4.72	5.67	7.43	8.07	12.36
PEWL0502T	17.88	12.01	20.36	5.93	6.89	14.92	4.51	12.36
PEWL1002T	16.65	12.01	17.83	5.94	6.89	8.65	4.53	12.36
PEWL1503T	16.65	12.01	19.72	7.24	8.19	9.95	4.53	12.36
PEWL1505T	16.57	12.01	24.78	12.28	13.21	14.97	4.53	12.36
PEWL1510T	20.87	16.54	31.48	18.98	19.93	21.69	8.27	16.54
PEWL1515T	20.87	16.554	34.63	22.13	23.08	24.84	8.27	16.54
PEWL1525T	25.59	21.26	34.63	22.13	23.08	24.84	10.63	21.26
PEWL3005T	16.54	12.01	26.54	12.28	13.25	15.01	4.53	12.36
PEWL3010T	20.87	16.54	33.24	18.98	19.93	21.69	8.27	16.54
PEWL3015T	20.87	16.54	36.39	22.13	23.08	24.84	8.27	16.54
PEWL3025T	25.59	21.26	36.39	22.13	23.08	24.84	10.63	21.26
PEWML0501T	14.92	10.28	19.09	4.72	5.67	7.43	8.07	12.36
PEWML0502T	0.00	0.00	0.00	0.00	0.00	1.76	0.00	0.00
PEWML1002T	16.65	12.01	34.63	5.94	6.89	8.65	4.53	12.36
PEWML1503T	16.65	12.01	34.63	7.24	8.19	9.95	4.53	12.36
PEWML1505T	16.57	12.01	26.54	12.28	13.21	14.97	4.53	12.36
PEWML1510T	20.87	16.54	33.24	18.98	19.93	21.69	8.27	16.54
PEWML1515T	2087	16.554	36.39	22.13	23.08	24.84	8.27	16.54
PEWML1525T	25.59	21.26	36.39	22.13	23.08	24.84	10.63	21.26
PEWML3005T	16.54	12.01	26.54	12.28	13.25	15.01	4.53	12.36
PEWML3010T	20.87	16.54	33.24	18.98	19.93	21.69	8.27	16.54
PEWML3015T	20.87	16.54	36.39	22.13	23.08	24.84	8.27	16.54
PEWML3025T	25.59	21.26	36.39	22.13	23.08	24.84	10.63	21.26