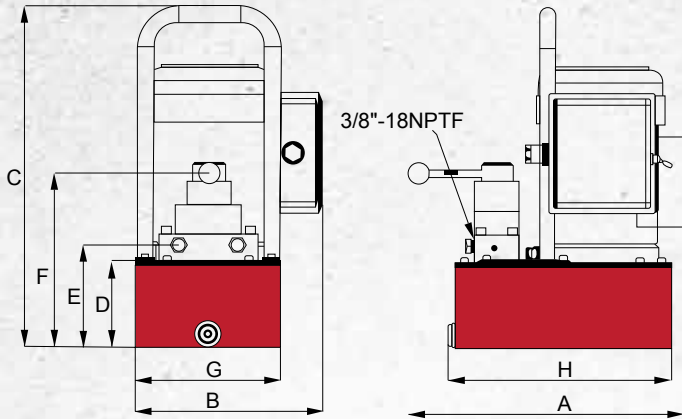
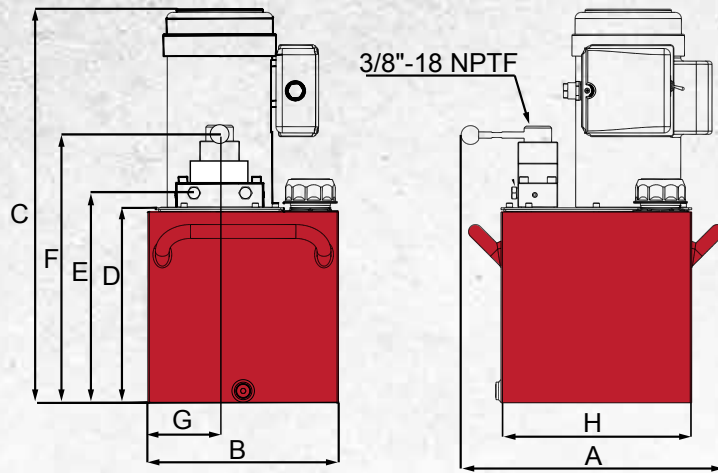


ELECTRIC PUMPS with LOCKING MANUAL VALVE

- Quiet operations meets OSHA regulations (80 dBA)
- 2 speed operation allows for faster cylinder advance
- Locking plate for positive load holding
- Internal filter keeps contamination from damaging the pump
- Precision components to minimize wear and improve overall dependability
- All pumps on this page are single phase electric motors
- 50 Hertz motors optional



Use with Cylinders	Motor Size (hp)	Usable Oil Capacity (gal)	Model Number	Pressure Rating		Oil Output Flow Rate		Valve Type	Valve Function	Current Draw (amps)	Motor Voltage (volts)	Weight (lbs)
				1st Stage (psi)	2nd Stage (psi)	1st Stage (in ³ /min)	2nd Stage (in ³ /min)					
Single Acting	0.5	1	PEL0501T	350	10,000	293	18	3-way, 3-position	Advance/ Hold/ Return	9	115	65.9
	0.5	2	PEL0502T	350	10,000	293	18			9	115	65.9
	1.0	2	PEL1002T	700	10,000	311	37			12	115	69.7
	1.5	3	PEL1503T	700	10,000	476	61			17	115	77
	1.5	5	PEL1505T	700	10,000	476	61			17	115	94.8
	1.5	10	PEL1510T	700	10,000	476	61			17	115	102.4
	1.5	15	PEL1515T	700	10,000	476	61			17	115	122.4
	1.5	25	PEL1525T	700	10,000	476	61			17	115	133.4
	3.0	5	PEL3005T	700	10,000	592	110			17	230	154.4
	3.0	10	PEL3010T	700	10,000	592	110			17	230	129.4
	3.0	15	PEL3015T	700	10,000	592	110			17	230	140.4
Double Acting	3.0	25	PEL3025T	700	10,000	592	110	17	230	161.4		
	0.5	1	PEML0501T	350	10,000	293	18	4-way, 4-position	Advance/ Hold/ Return	9	115	65.9
	0.5	2	PEML0502T	350	10,000	293	18			9	115	65.9
	1.0	2	PEML1002T	700	10,000	311	37			12	115	69.7
	1.5	3	PEML1503T	700	10,000	476	61			17	115	77
	1.5	5	PEML1505T	700	10,000	476	61			17	115	94.8
	1.5	10	PEML1510T	700	10,000	476	61			17	115	102.4
	1.5	15	PEML1515T	700	10,000	476	61			17	115	122.4
	1.5	25	PEML1525T	700	10,000	476	61			17	115	133.4
	3.0	5	PEML3005T	700	10,000	592	110			17	230	154.4
	3.0	10	PEML3010T	700	10,000	592	110			17	230	129.4
	3.0	15	PEML3015T	700	10,000	592	110			17	230	140.4
	3.0	25	PEML3025T	700	10,000	592	110			17	230	161.4



Model Number	Dimensions (in)							
	A	B	C	D	E	F	G	H
PEL0501T	14.92	10.28	19.09	4.72	5.67	7.43	8.07	12.36
PEL0502T	17.33	12.01	20.36	5.78	6.89	14.92	4.51	12.36
PEL1002T	16.65	12.01	17.83	5.94	6.89	8.65	4.53	12.36
PEL1503T	16.65	12.01	19.72	7.24	8.19	9.95	4.53	12.36
PEL1505T	16.57	12.01	24.78	12.28	13.21	14.97	4.53	12.36
PEL1510T	20.87	16.54	31.48	18.98	19.93	21.69	8.27	16.54
PEL1515T	20.87	16.554	34.63	22.13	23.08	24.84	8.27	16.54
PEL1525T	25.59	21.26	34.63	22.13	23.08	24.84	10.63	21.26
PEL3005T	16.54	12.01	26.54	12.28	13.25	15.01	4.53	12.36
PEL3010T	20.87	16.54	33.24	18.98	19.93	21.69	8.27	16.54
PEL3015T	20.87	16.54	36.39	22.13	23.08	24.84	8.27	16.54
PEL3025T	25.59	21.26	36.39	22.13	23.08	24.84	10.63	21.26
PEML0501T	14.92	10.28	19.09	4.72	5.67	7.43	8.07	12.36
PEML0502T	0.00	0.00	0.00	0.00	0.00	1.76	0.00	0.00
PEML1002T	16.65	12.01	34.63	5.94	6.89	8.65	4.53	12.36
PEML1503T	16.65	12.01	34.63	7.24	8.19	9.95	4.53	12.36
PEML1505T	16.57	12.01	26.54	12.28	13.21	14.97	4.53	12.36
PEML1510T	20.87	16.54	33.24	18.98	19.93	21.69	8.27	16.54
PEML1515T	20.87	16.554	36.39	22.13	23.08	24.84	8.27	16.54
PEML1525T	25.59	21.26	36.39	22.13	23.08	24.84	10.63	21.26
PEML3005T	16.54	12.01	26.54	12.28	13.25	15.01	4.53	12.36
PEML3010T	20.87	16.54	33.24	18.98	19.93	21.69	8.27	16.54
PEML3015T	20.87	16.54	36.39	22.13	23.08	24.84	8.27	16.54
PEML3025T	25.59	21.26	36.39	22.13	23.08	24.84	10.63	21.26