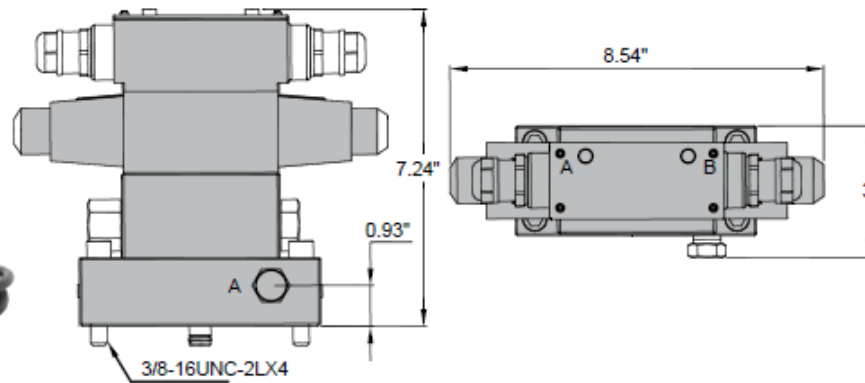


Solenoid Control Valve, Single Acting & Double Acting

- PS33L & PS43L, Valve with 115VAC
- Features Advance /Hold/Return Valve
- Designed for Single Acting (PS33L) or Double Acting (PS43L) Cylinders



Use With Cylinder	Model Number	Valve Type	Valve Function	Hydraulic Symbol	Schematic Flow path			Weight (lbs)
Single Acting	PS33L	Solenoid 115VAC	Advance/ Hold/Return					7.0
Single Acting	PD33	Solenoid 115VAC	Advance / Return				-	6.0
Double Acting	PS43L	Solenoid 115VAC	Advance/ Hold/Return					7.0